

NEW



roo//s

EXCLUSIVE FLOORING



SWISS KRONO TEX GmbH & Co. KG

Wittstocker Chaussee 1 · D-16909 Heiligengrabe
Tel. +49 33962-69 150 · Fax +49 33962-69 288

Production and product control follow the standards of DIN EN 13329.
Technical data is subject to change without notice.
The illustrations may differ from the actual products.

Photos: Shutterstock, Fotolia, Vogelsänger

EN 002-0218-DW-WEI

Our new and exciting **rooms** collection consists of numerous exclusive decors offering the whole spectrum of professional laminate flooring from the old 3 strip favourite to the highly refined rustic oak.

Environmental protection	4
Product range	6
penthouse	8
loft	14
suite	24
studio	36
Structures & Panel construction	48
Installation	50
Underlayments	52
Skirtings & Accessories	54
Floor heating & Cleaning	56



environmental protection from the very start

We provide you with complete transparency in order to compare us fairly with other manufacturers. Through the Environmental Product Declaration (EPD) we are disclosing fully and voluntarily the ecological tally of our wooden products. The EPD is allocated by the 'Institut Bauen und Umwelt' (institute for building and the environment) and is recognised worldwide as an ecolabel according to ISO standard 14025. The focus of our environmental management is on ecological efficiency. Each product leaving our factory has to be not only excellent value for money but also has to be ecologically sound during the whole of its life cycle. This ranges from using certified raw materials coming from



sustainable forestry, to our strictly controlled production processes, and the long product life all the way to its environmentally friendly disposal. In order to achieve solid improvements in all our operations, we provide continuous information and seminars to strengthen the ecological awareness of all our employees.



www.blauer-engel.de/uz176

- low emissions and pollutants
- wood from sustainable forestry
- no adverse impact on health in the living environment



The mark of responsible forestry



EPD of the EPLF industry association

penthouse



Depth: 10 mm

WIDE PLANKS
EXTRA DURABLE
CLASSIC PLANK APPEARANCE (V-GROOVE)
NATURALLY SOUND ABSORBING

BOARD 1380 × 244 × 10 mm
BOX 6 boards = 2.02 m²
PALLET 42 boxes = 84.84 m²

GUARANTEE
30 years in domestic settings
5 years in commercial settings
subject to manufacturer's conditions



33 / AC 5

loft



Depth: 10 mm

EXTRA DURABLE
CLASSIC PLANK APPEARANCE (V-GROOVE)
NATURALLY SOUND ABSORBING

BOARD 1380 × 193 × 10 mm
BOX 6 boards = 1.598 m²
PALLET 56 boxes = 89.49 m²

GUARANTEE
30 years in domestic settings
5 years in commercial settings
subject to manufacturer's conditions



33 / AC 5

suite



Depth: 8 mm

CLASSIC PLANK APPEARANCE (V-GROOVE)
REALISTIC WOOD TEXTURE

BOARD 1380 × 193 × 8 mm
BOX 8 boards = 2.131 m²
PALLET 56 boxes = 119.32 m²

BOARD 1380 × 244 × 8 mm
BOX 8 boards = 2.694 m²
PALLET 42 boxes = 113.1482 m²



32 / AC 5

GUARANTEE

25 years in domestic settings
3 years in commercial settings
subject to manufacturer's conditions

studio



Depth: 8 mm

CLASSIC DECORS

BOARD 1380 × 193 × 8 mm
BOX 8 boards = 2.131 m²
PALLET 56 boxes = 119.32 m²

GUARANTEE
25 years in domestic settings
3 years in commercial settings
subject to manufacturer's conditions



32 / AC 5



NATURE OAK


Decor RB 1016

penthouse



Perfection, elegance, resilience – **penthouse** is ideal both for the floor of a luxurious home or for commercial applications of the highest demands – be it a hotel lobby or a conference room. The 10 mm thickness offers good noise reduction, outstanding durability and ease of installation.



Made in 
Germany 

penthouse



Hard to distinguish even for a professional:
Our NR structure (Naturally Real), for
example, achieves its striking likeness to
real wood through its precise bonding of
grain and textured surface layers.

BOARD 1380 × 244 × 10 mm



www.blauer-engel.de/uz176



The mark of
responsible forestry



EPD of the EPLF industry association

NEW



NATURE OAK

1-Strip · V-groove · natural real-wood appearance (NR)

penthouse

Decor RB 1016

NEW



TITAN OAK

1-Strip · V-groove · natural real-wood appearance (NR)

penthouse

Decor RB 1017

NEW



WHITE OAK

1-Strip · V-groove · natural real-wood appearance (NR)

penthouse

Decor RB 1018



GIANDUJA OAK

Decor R 1014

loft



loft combines a creative atmosphere and robust aesthetic with a high degree of practicality.

This collection's strengths are displayed to their best not just in business premises, shops and restaurants, but also in the



Made in 
Germany

modern work-at-home lifestyles of young people.
We guarantee both the high quality of the 10 mm thick
panels as well as their durability under all kinds of uses.

loft



As a conscious contrast to often cool surroundings our **loft** range provides warm, natural tones. The universal texture AW (Allover Wood) gives the look and feel of real wood.

BOARD 1380 × 193 × 10 mm



www.blauer-engel.de/uz176



The mark of responsible forestry



EPD of the EPLF industry association



RUSTIC OAK

1-Strip · V-groove · brushed gloss structure (BW)

loft

Decor R 1006



SILVER OAK

1-Strip · V-groove · natural real-wood appearance (NR)

loft

Decor R 1009



DARK OAK

1-Strip · V-groove · natural real-wood appearance (NR)

loft

Decor R 1010

NEW



MANRESA WALNUT

1-Strip · V-groove · natural real-wood appearance (NR)

loft

Decor R 1012



NEW

LIGHT OAK

1-Strip · V-groove · matt with a slightly structured texture (NO)

loft

Decor R 1013

NEW



GIANDUJA OAK

1-Strip · V-groove · natural and vivid wood texture (AW)

loft

Decor R 1014



NEW

FLORENTINA

1-Strip · V-groove · matt with a slightly structured texture (NO)

loft

Decor R 1015



TARRAGONA WALNUT

Decor RV 816

suite



suite's complementary finishes allow large areas to be visually divided, highlighting the differing uses of living and working space. The harmonious range of tones and surfaces work



Made in 
Germany

together with a room's architecture to create a mixture of places with a coordinated atmosphere which is easy to personalise with furniture or other splashes of colour.

suite



All round V-grooves create a characteristic board impression for the **suite** range. The linear grain structure of this collection's finish, for example in BW (Brushed Wood), give a striking brushed wooden optic.

BOARD 1380 × 193 × 8 mm

BOARD 1380 × 244 × 8 mm



www.blauer-engel.de/uz176



The mark of responsible forestry



EPD of the EPLF industry association



BEIGE OAK

1-Strip · V-groove · brushed gloss structure (BW)
Board 1380 × 193 × 8 mm

suite

Decor RV 803



HONEY OAK

1-Strip · V-groove · natural real-wood appearance (NR)
Board 1380 × 193 × 8 mm

suite

Decor RV 809



LIMED OAK BEIGE

1-Strip · V-groove · natural real-wood appearance (NR)
Board 1380 × 193 × 8 mm

suite

Decor RV 810



LIMED OAK NATURE

1-Strip · V-groove · natural real-wood appearance (NR)
Board 1380 × 193 × 8 mm

suite

Decor RV 813

NEW



TARRAGONA WALNUT

1-Strip · V-groove · natural real-wood appearance (NR)
Board 1380 × 244 × 8 mm

suite

Decor RV 816

NEW



GESAMI OAK

1-Strip · V-groove · natural and vivid wood texture (AW)
Board 1380 × 244 × 8 mm

suite
Decor RV 817

NEW



GREY OAK

1-Strip · V-groove · natural and vivid wood texture (AW)
Board 1380 × 244 × 8 mm

suite
Decor RV 818

NEW



HELLA OAK DARK

1-Strip · V-groove · with visible marks of use (VL)
Board 1380 × 244 × 8 mm

suite
Decor RV 819



GESAMI OAK

Decor RV 817



studio




Studio gracefully lends itself to uses all over: it is equally suited to a functional kitchen as children's rooms; to studies as well as stylish living areas. **studio** meets the demands of almost every space.



EDISON OAK NATURE

Decor R 0830

Made in 
Germany

studio



Classically elegant decors and carefully selected surface finishes make this collection the very best. Those who get the taste for exclusive, professionally-laid laminate, will never want anything else.

BOARD 1380 × 193 × 8 mm



www.blauer-engel.de/uz176



The mark of responsible forestry



EPD of the EPLF industry association



BEECH

3-Strip · brushed grain structure (MW)

studio

Decor R 0803



NATURE ELM

3-Strip · brushed gloss structure (BW)

studio

Decor R 0805



ELM

3-Strip · brushed gloss structure (BW)

studio

Decor R 0806



NATURE OAK

3-Strip · brushed gloss structure (BW)

studio

Decor R 0811



ELEGANT OAK

2-Strip · natural and vivid wood texture (AW)

studio

Decor R 0826



ELEGANT OAK WHITE

2-Strip · natural and vivid wood texture (AW)

studio

Decor R 0827



ORIGINALLY SPRUCE

2-Strip · natural and vivid wood texture (AW)

studio

Decor R 0829

NEW



EDISON OAK NATURE

Multi-strip · natural and vivid wood texture (AW)

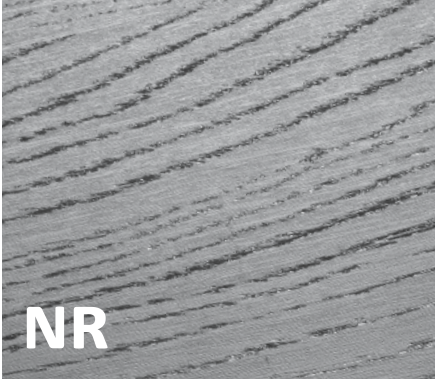
studio

Decor R 0830



EDISON OAK NATURE
Decor R 0830

structures



100% realistic wood appearance, combined with the perfection of laminate



brushed structure with differing gloss levels



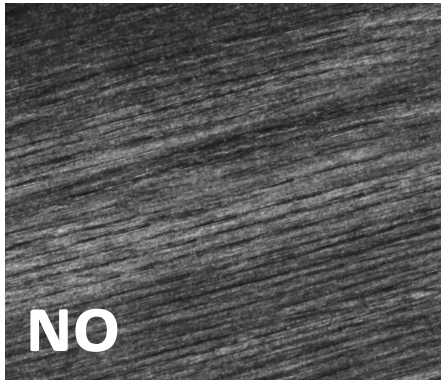
natural and vivid wood texture



brushed grain structure

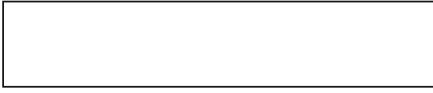


with visible marks of use

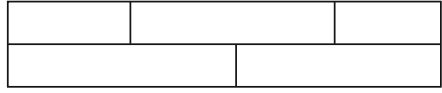


matt with a slightly structured texture

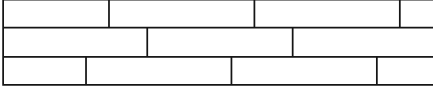
style



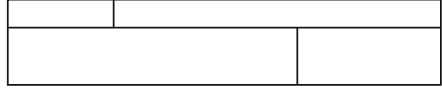
1-strip



2-strip



3-strip



Multi-strip

panel construction

rooms-laminates consist of four stable layers which ensure the extraordinary durability and unique quality of floors.

The top surface of the flooring consists of a specially resistant protective overlay film.

The overlay protection film is fused with an attractive resinated decorative film into a practically abrasion-proof, hard-wearing surface.

Extremely dense HDF fiber-board forms the supportive core (HDF, E1).

On the undersurface of the core a dampnessimpeding stabilization film ensures and preserves the high structural stability of **rooms** laminate.

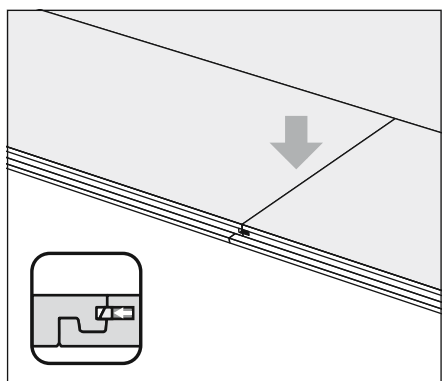
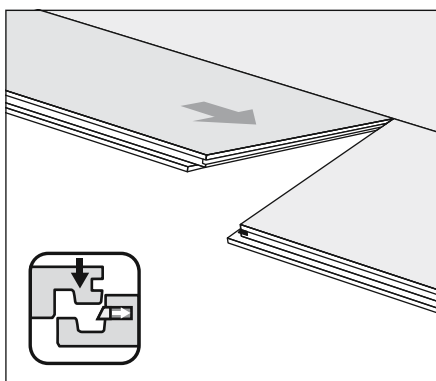




installation



rooms-products can be installed quickly, safely and are durable. Boards are angled in on the long sides, and easily pushed down on the short. Forget hammers, tapping blocks and pulling bars! An inbuilt plastic strip connects individual boards to the next with high precision. With only a few simple actions you will obtain a professional result in a short time.





video tutorial

In short video tutorials we explain how to deal with door-frames, heating pipes and so on and make sure you know everything important about substrates, wall gaps and expansion joints. And so you'll continue to enjoy your laminate floor for a long time to come, you also learn how to care for and clean it.



underlayments



BASIC

foam-based / 25,000 × 1,000 × 2 mm

1 package = 4 rolls = 100 m² · 1 pallet = 40 rolls



BASIC PLUS

foam based with PE-flat film / 25,000 × 1,000 × 2 mm

1 package = 4 rolls = 100 m² · 1 pallet = 40 rolls



PREMIUM SOUND

PU-based with film lamination / 8,500 × 1,000 × 1.8 mm

1 package = 1 roll = 8.5 m² · 1 pallet = 40 rolls



SUPERIOR SOUND

PU-based with film lamination / 5,500 × 1,000 × 2.8 mm

1 package = 1 roll = 5.5 m² · 1 pallet = 40 rolls

skirtings & accessories



RF SKIRTING

MDF, white, chamfered, suitable for painting or varnishing
18 × 80 × 2,400 mm / 1 box = 8 pieces · 1 pallet = 35 boxes



RP SKIRTING

MDF, white, sculpted, suitable for painting or varnishing
18 × 80 × 2,400 mm / 1 box = 8 pieces · 1 pallet = 35 boxes



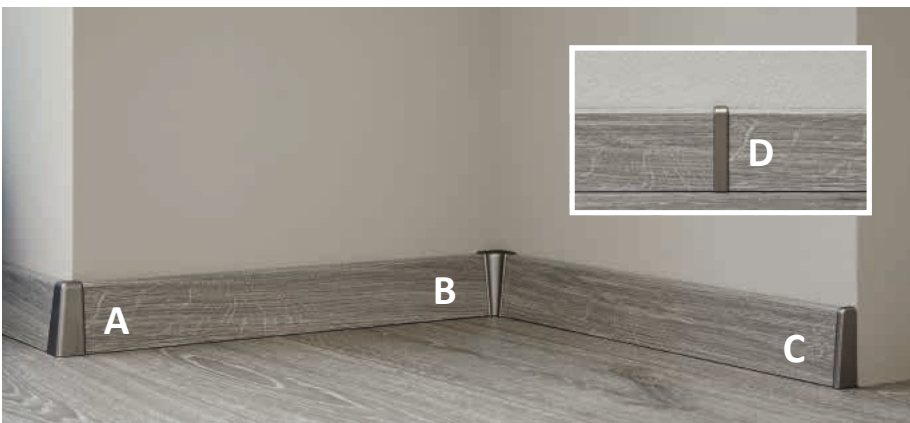
CORNER PIECES for RP and RF skirtings

white / 22 × 22 × 82 mm
1 box = 2 pieces



R 1 SKIRTING

MDF, suits all decors and in white (paintable), for use with skirting clips
 19 x 58 x 2,400 mm / 1 box = 10 pieces · 1 pallet = 56 boxes



ACCESSORIES for R 1 skirting

A Outer corner · 1 box = 2 pieces

B Inner corner · 1 box = 2 pieces

C End piece · 1 box = 1 × left, 1 × right

D Connection · 1 box = 2 pieces



SKIRTING CLIPS

for quick and easy installation
 of R 1 skirtings



ANTISTATIC CLEANER

1,000 ml

floor heating

rooms laminate floors can be readily installed upon underfloor heating, serve well and even help to save on heating costs.

- Be sure to heat mineral underlays before flooring installation to eliminate any excess dampness.
- Have a heating specialist in your area give you a heating report.
- Ensure that during installation, the surface temperature of the floor is at least 15 °C (60 °F).
- For dampness insulation and as a vapor barrier, use a PE film (0.2mm) underlayment.
For sound absorption you can use PE foam or a underlay mat.
- At the beginning of each heating period, when you first turn on the under-floor heating, raise the temperature gradually in 5 °C (9 °F) increments per day until you reach the desired temperature. The floor's surface temperature should not exceed 26 °C (80 °F).

cleaning & care

rooms laminate floors are not only hygienic but also very easy to look after.

- Sweep the dry floor with a soft broom or use a vacuum cleaner.
- Marks and dirt can be wiped off with a slightly damp cloth, following the grain of the plank.
- For stubborn marks, please use laminate cleaner.
- Please use felt pads under furniture and soft rubber castors on chairs.
- Place door mats in special areas (hall, entrance).
In industrial buildings, provide footwells.
- Minor damage to the floor can easily be repaired with a repair kit.
- In case of more serious damage, please consult a specialist.



GREY OAK
Decor RV 818

rooms

EXCLUSIVE FLOORING

rooms-floor.com

made in germany